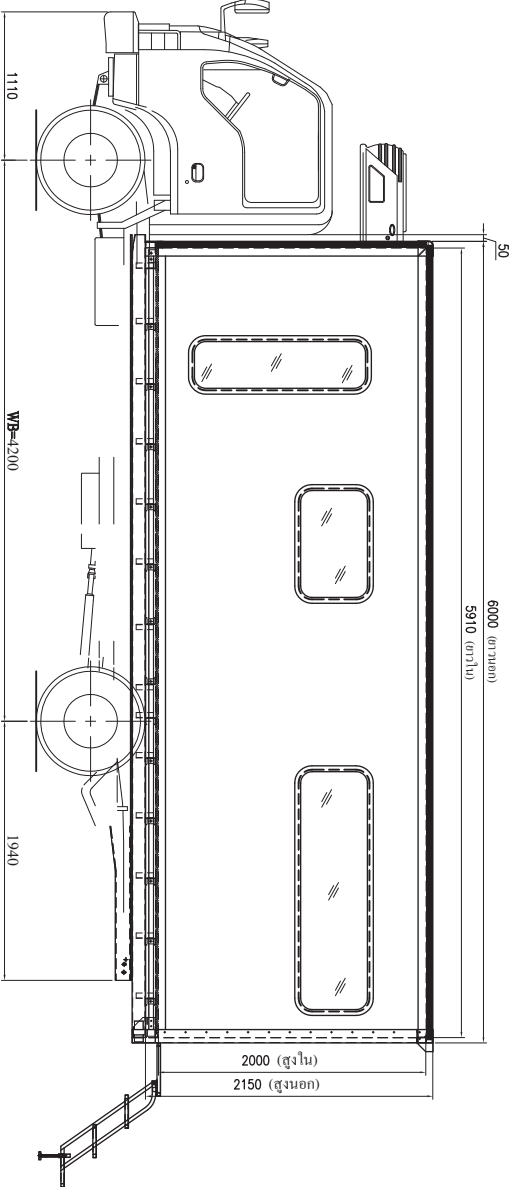
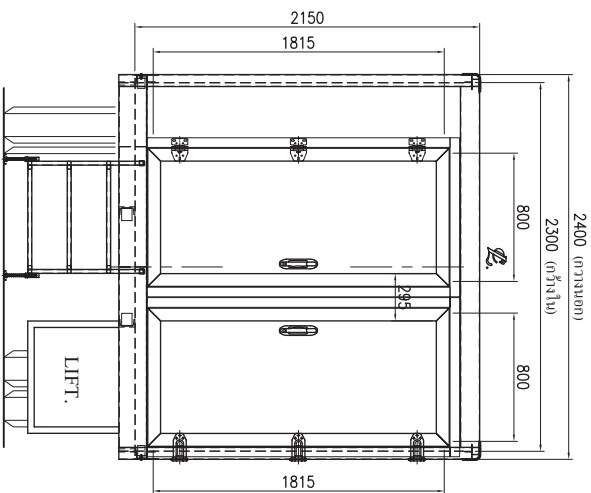


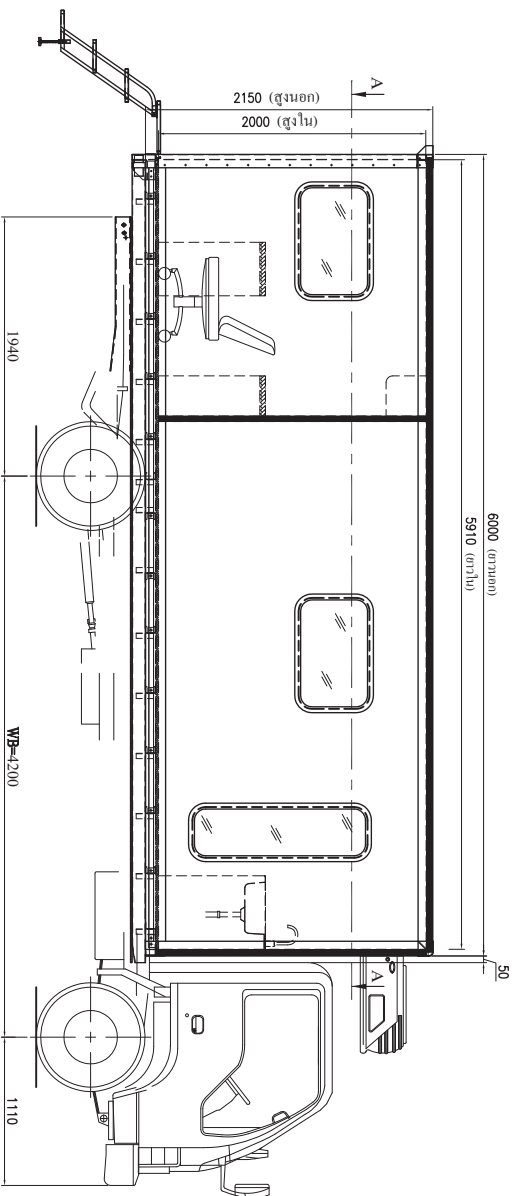
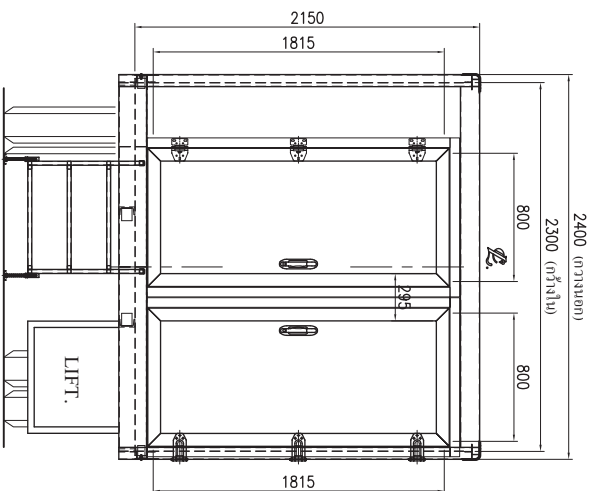
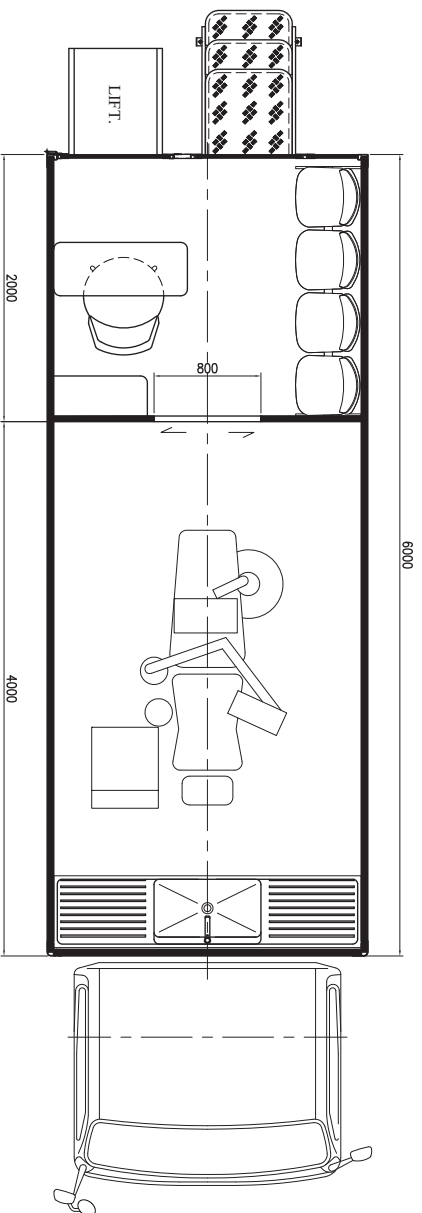
RIGHT VIEW



LEFT VIEW


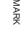


 <b>Normecas</b> <small>Thailand's No.1 Van Body Manufacturer</small> <small>THE DESIGN &amp; DETAILS ARE THE PROPERTY OF T.K.O. HUBER CO., LTD.</small> <small>DO NOT REPRODUCE WITHOUT PERMISSION</small> <small>ISO 9001 : 2008</small>	PROJECT	MARK	REVISION	DATE	DRAWING NUMBER	DRAWING NUMBER	DATE	PROJECT MANAGER	DATE
	DRY VAN	△							
	PARTNAME	UNIT	SCALE	TOLERANCE	DESIGNER	DATE	APPROVED	DATE	
	BODY DIMENSION 1/2	mm.	MTS.	MR. PONSAK					17/01/55
COLORING MATTER	THICKNESS	OVERALL SIZE	③	± 3					
MATERIAL	QUANTITY	WEIGHT							



REAR VIEW

RIGHT VIEW

 <b>Normecas</b>		PROJECT <b>DRY VAN</b>		MARK 	REVISION	DATE	No. <b>1/1</b>	PART NUMBER		MANAGING DIRECTOR (M) 011-44774411		
		BODY DIMENSION 2/2						DRAWING NUMBER			DATE	PRODUCT MANAGER
Material and technical specifications refer to the manufacturer's data. THE DESIGN & DETAILS ARE THE PROPERTY OF T.K.O. HIBER CO., LTD. DO NOT REPRODUCE WITHOUT PERMISSION. ISO 9001 : 2008		MATERIAL	COLORING MATTER	THICKNESS	OVERALL SIZE	QUANTITY	WEIGHT	SCALE <b>MTS.</b>	DRAWN BY <b>MR. PONSAK</b>	DATE <b>17/01/55</b>	APPROVED	DATE
							<b>± 3</b>	TOLERANCE	DESIGNER	DATE	APPROVED	DATE